

# Flag Book

by Kathy Miller and Diane Weintraub

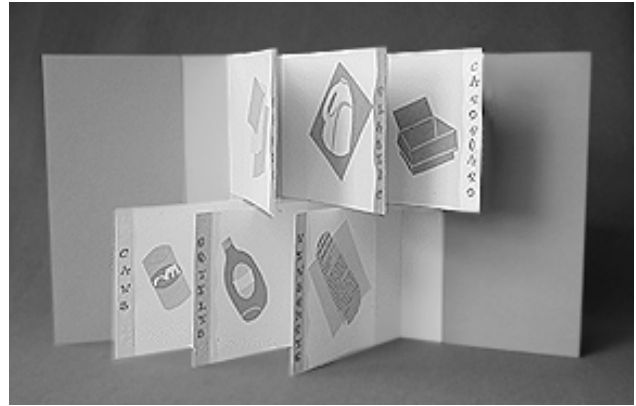
## General Description

The spine of this book is an "accordion." Pieces of paper called flags are glued onto the spine, as are the covers.

The idea behind this book is that an accordion fold has two sides, each going a different direction. If the flag is pasted to one side of the fold it will go one direction; if pasted to the other side, the flag will lie pointing in the opposite direction.

The flags could have images on one side and words on the other, images and images, words and words, or use the two sides of the flags to tell two sides of a story.

The finished size of the book shown is  $5\frac{1}{2} \times 8\frac{1}{2}$  inches.



## Materials

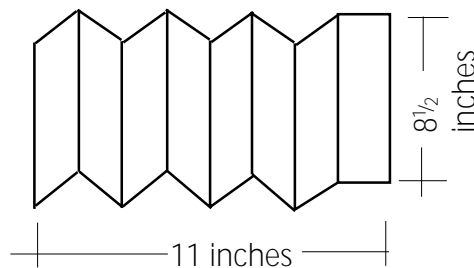
- Cardstock paper for the accordion spine,  $8\frac{1}{2} \times 11$  inches, one per student.
- Cardstock paper for cover,  $5\frac{1}{2} \times 8\frac{1}{2}$  inches, two per student.
- Text paper for flags, six total  
Flag width,  $5\frac{3}{8}$  inches  
Height of flag: for a two-level book, cut the flags to 4 inches
- Glue stick
- Bone folder or wooden craft stick

## Preparation

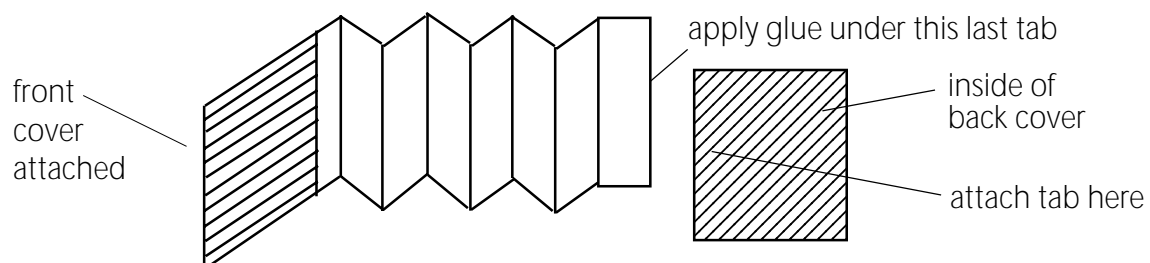
Cut all paper and cardstock

## Procedure

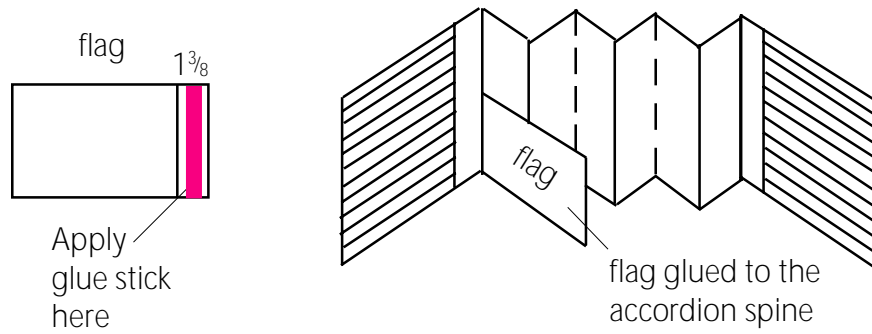
1. To make the spine, fold the  $8\frac{1}{2} \times 11$  inch cardstock widthwise. Refer to the folding directions for the *Accordion Book* found in this booklet, following steps 1 through 6.



2. To attach the covers, apply glue to the underneath side of the last tab and glue to the inside of the back cover. Repeat for the front cover.



3. Apply glue in a flat line to the back of the first flag on the  $1\frac{3}{8}$ " margin only. Glue the flag to the accordion spine. Continue gluing the flags in the same direction.



4. Glue the flags to the other side of the accordion spine as shown. Pages attached to the left of the accordion spine will point left; pages attached to the right side of the accordion will point to the right.

